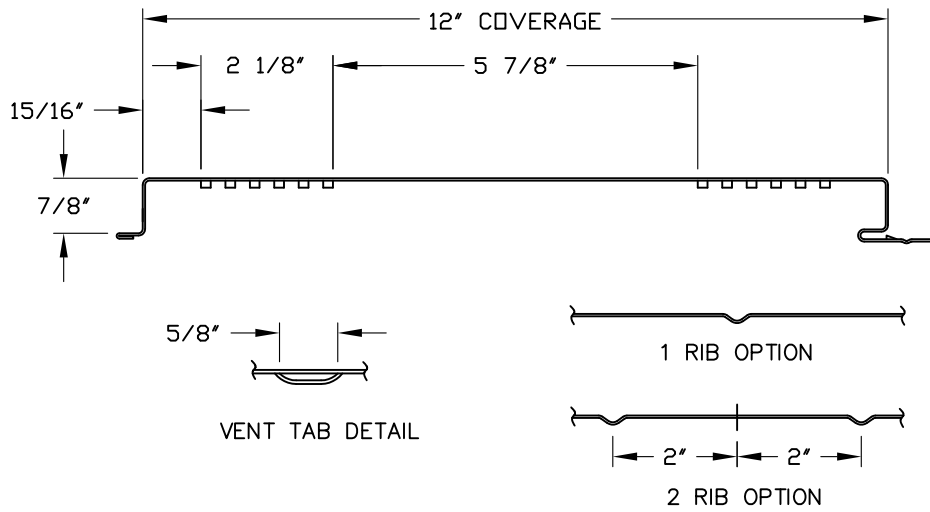


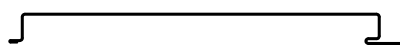
FLUSH PANEL



VENTED FLUSH PANEL



FLUSH PANEL
HORIZONTAL INSTALL.



PANEL DETAILS

FPH-02